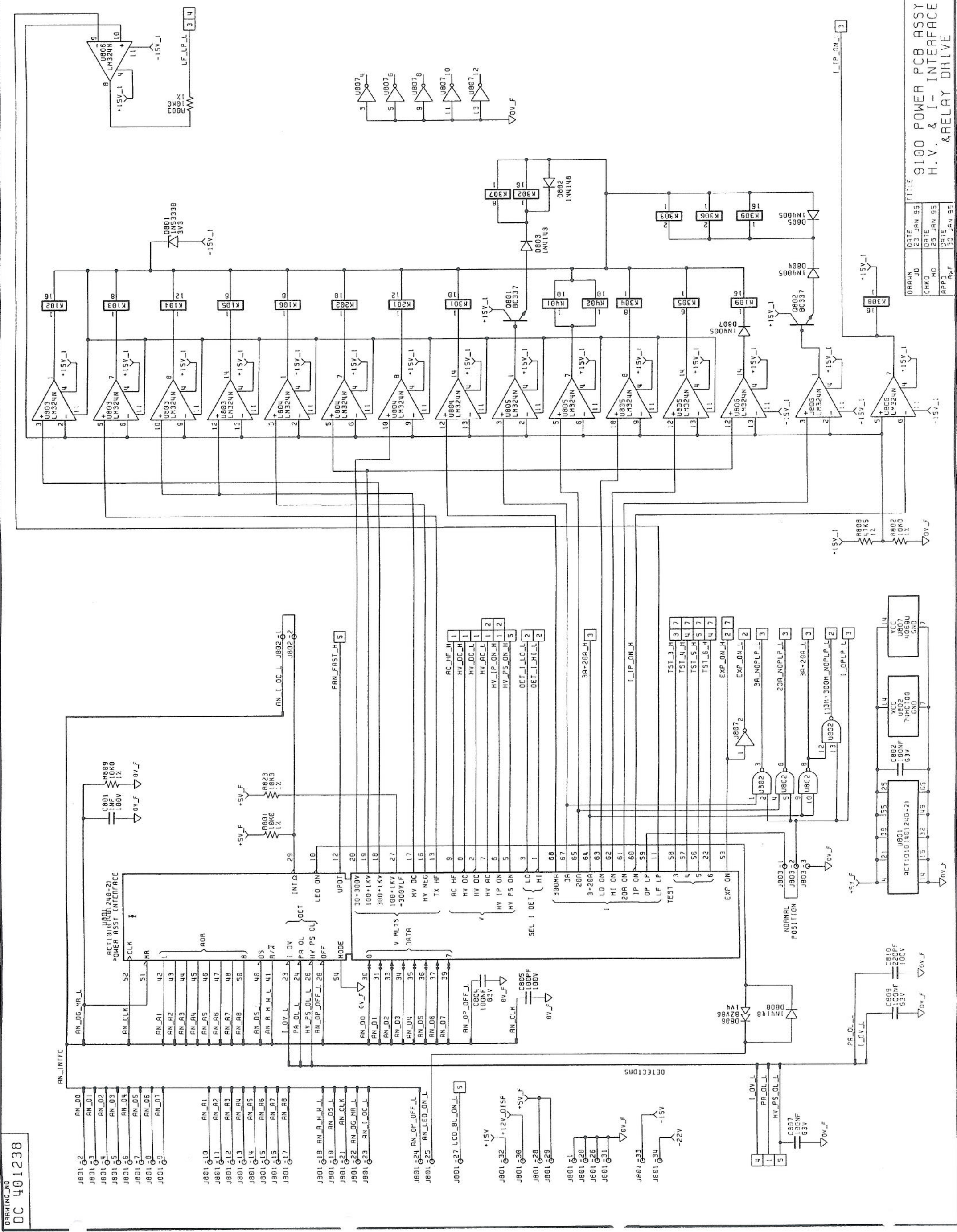


ISS CHANGES

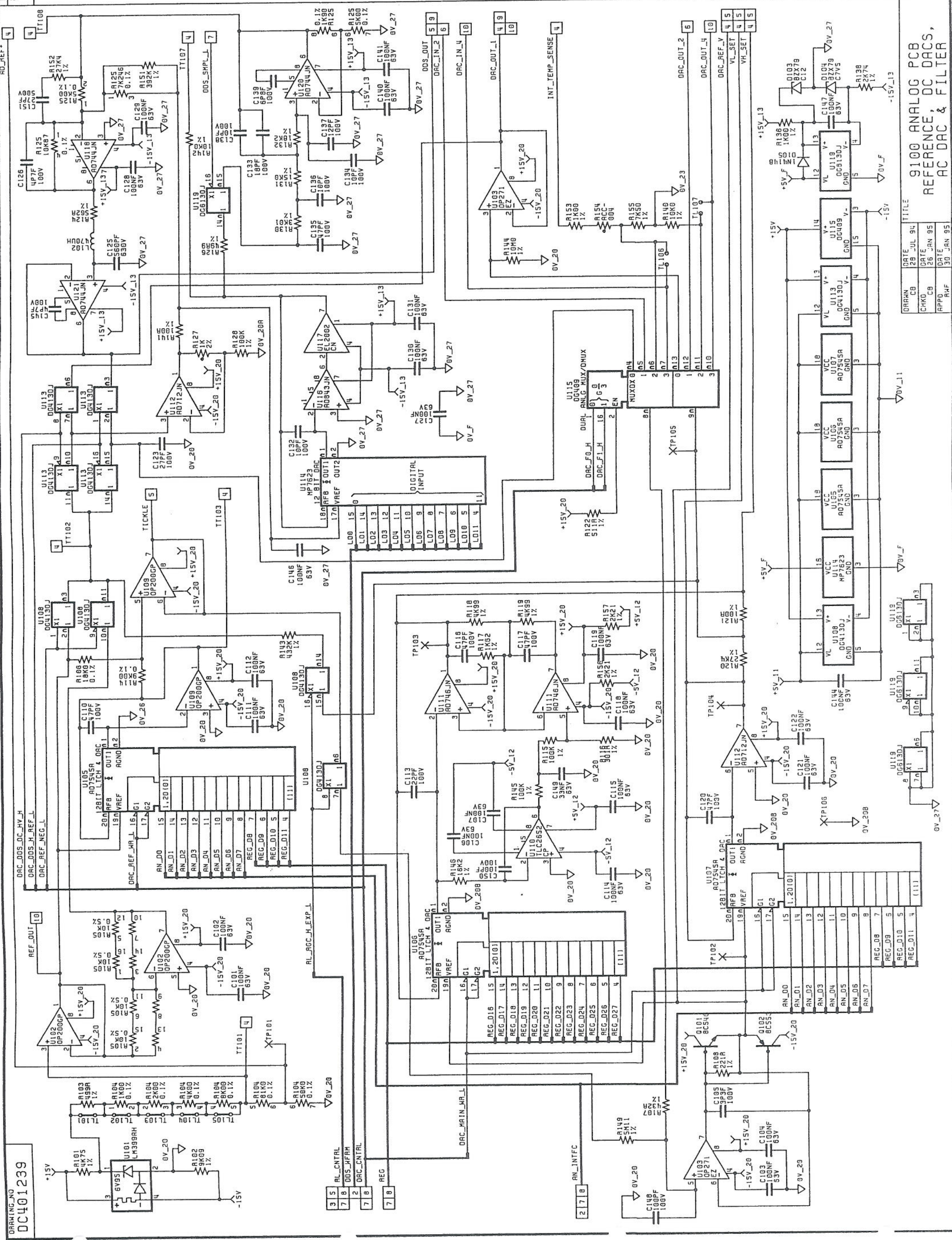
1.0	ECO 4740 RELEASED 23 JAN 95
1.1	ECO 4742 PCB HAS ISS 3 JOB 23 JAN 95
1.2	ECO 5683 U801 HAS ISS 1. JOB 12 DEC 97

9100 POWER PCB ASSY  
H.V. & I- INTERFACE  
& RELAY DRIVE

DATE	23 JAN 95
CHKD	HO
DATE	25 JAN 95
APPR	RAH
DATE	30 JAN 95







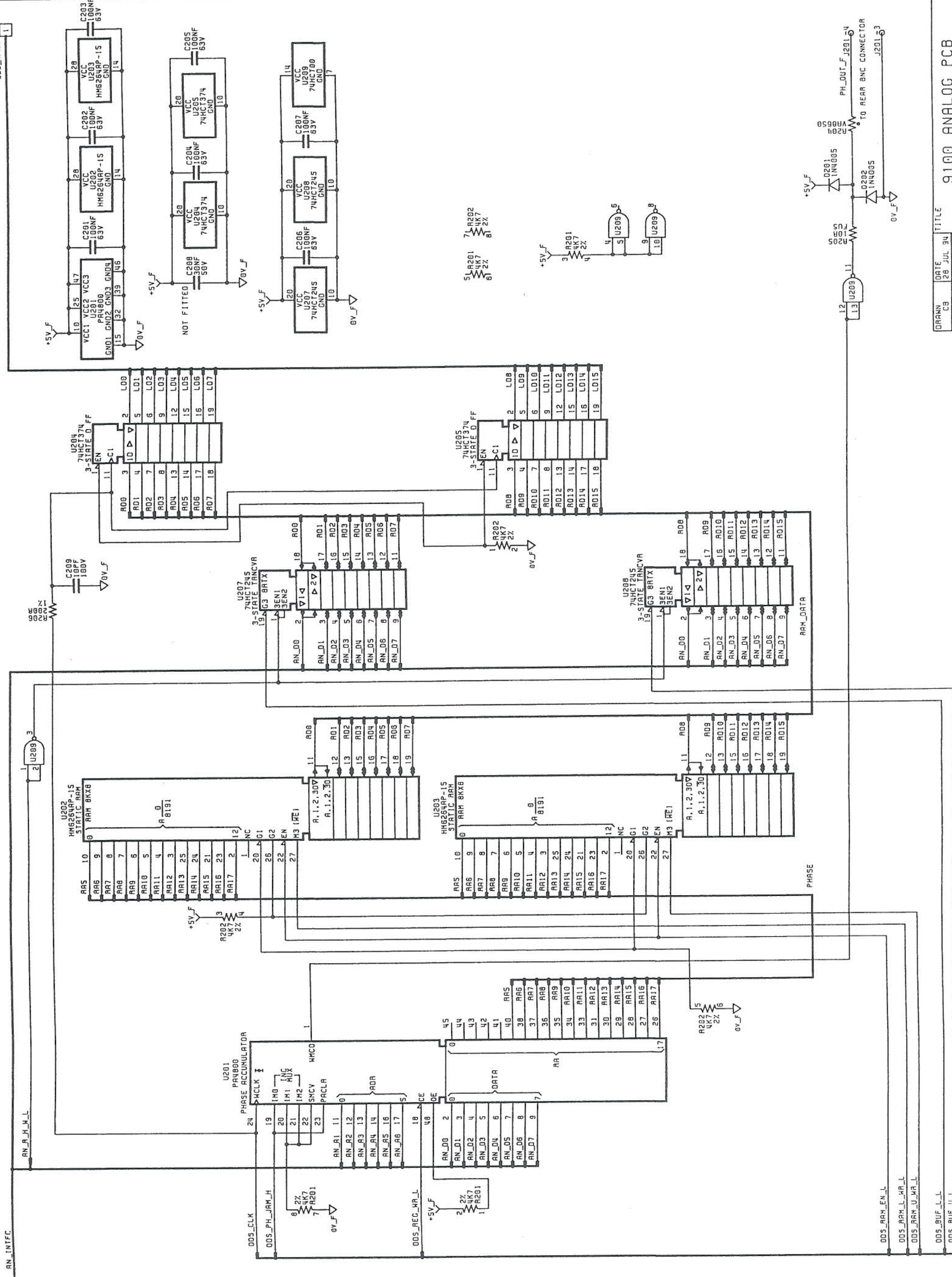
9100 ANALOG PCB  
REFERENCE, DC DACS,  
AC DAC & FILTER

DRN	DATE	TITLE
CB	29 JUL 94	
CHKO	26 JAN 95	
APPD	30 JAN 95	



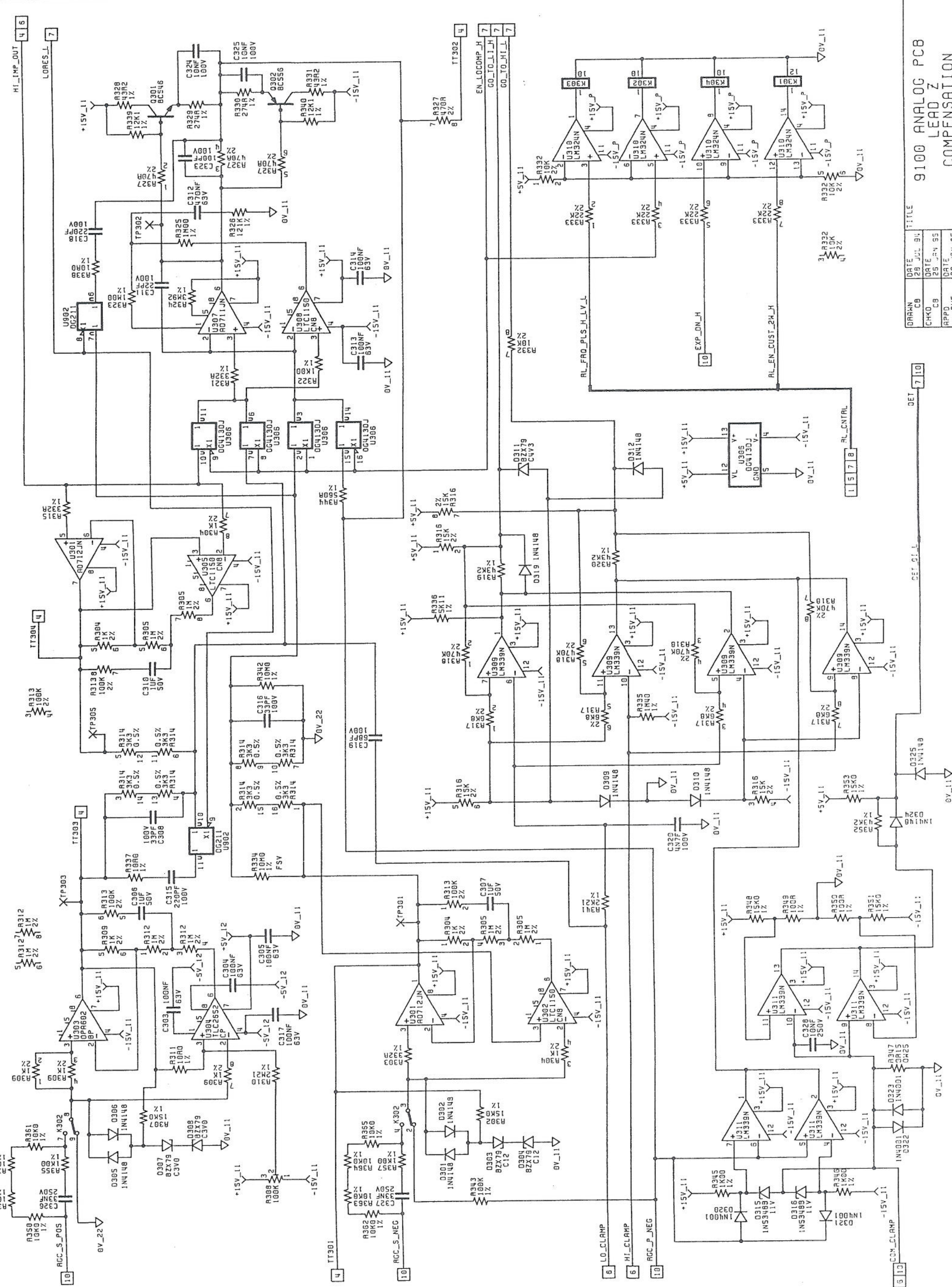
155 CHANGES

2.0 ECO 5520 PCB HAS 410485-S 29 MAY 97





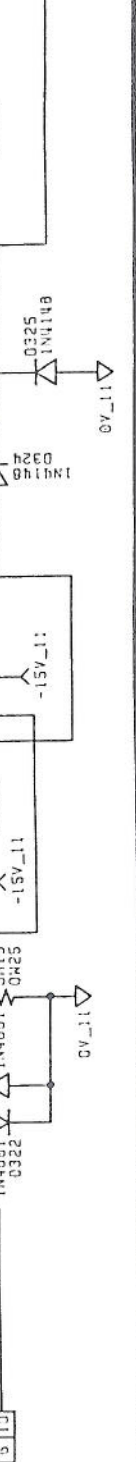
LEAD Z COMPENSATION



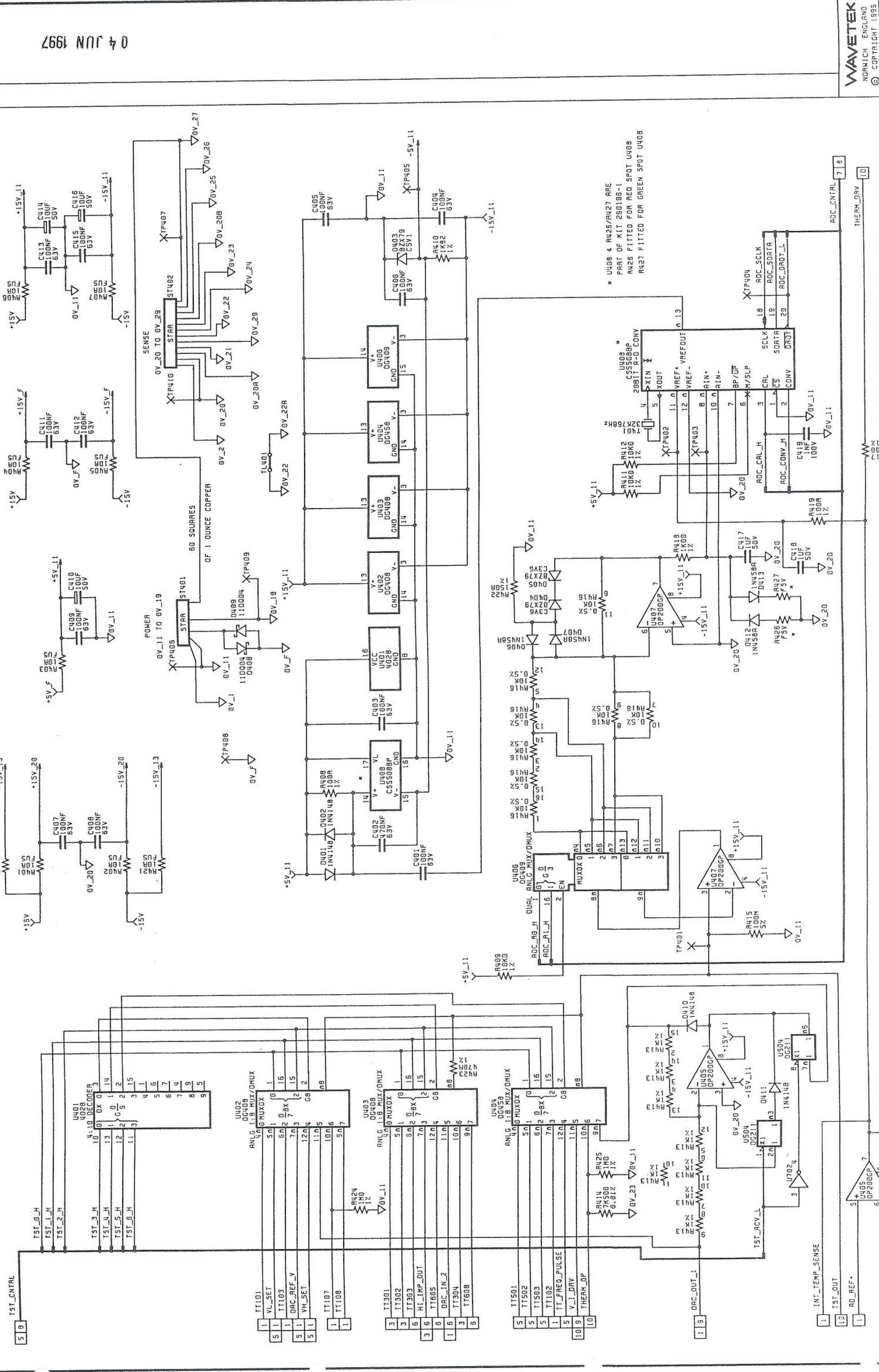
9100 ANALOG PCB  
LEAD Z  
COMPENSATION

DATE	DATE	TITLE
28 JUL 94		
25 JUN 95		
30 JUN 95		

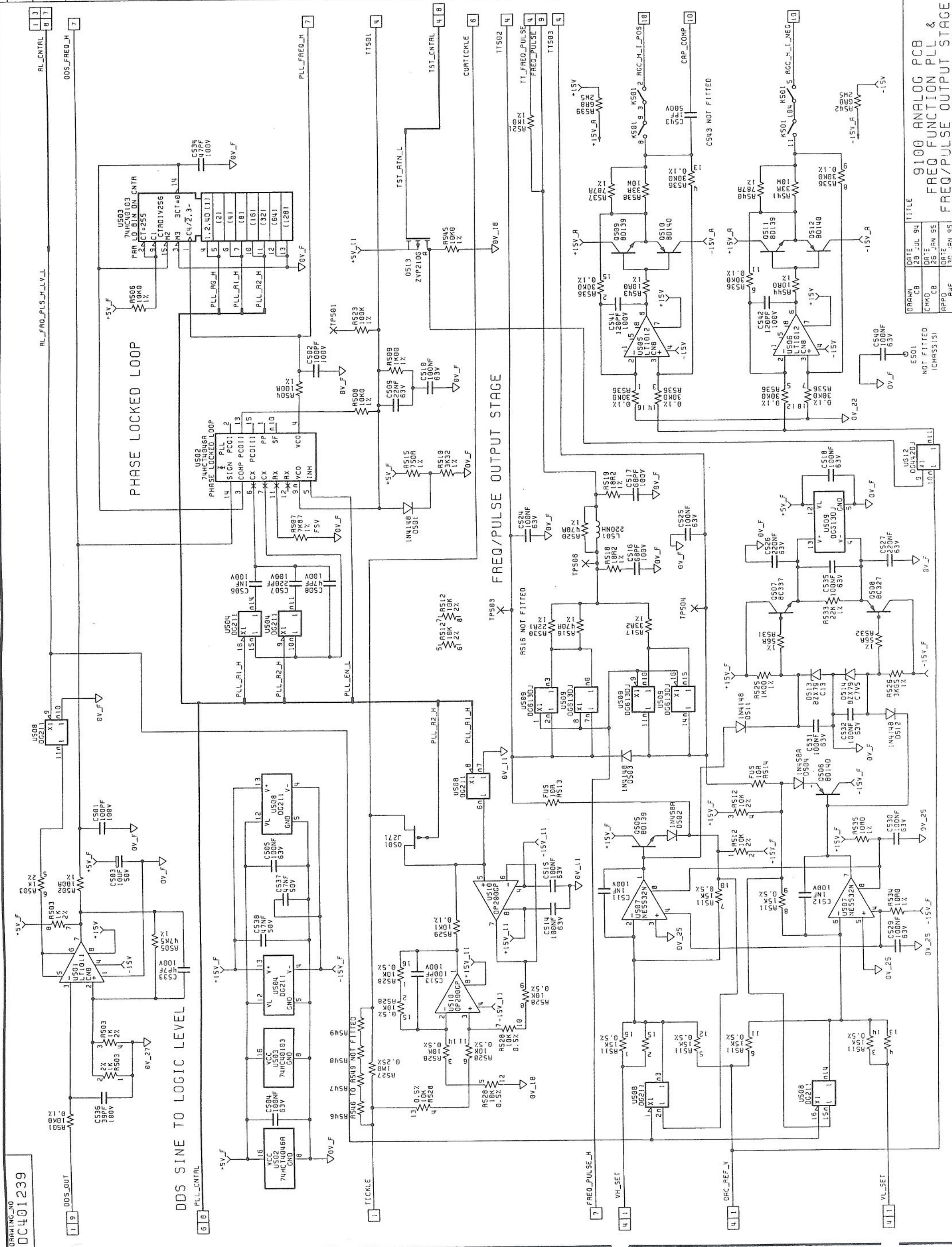
DRAWN	DATE	DATE	TITLE
CB	28 JUL 94		
CHKD	25 JUN 95		
APPD	30 JUN 95		



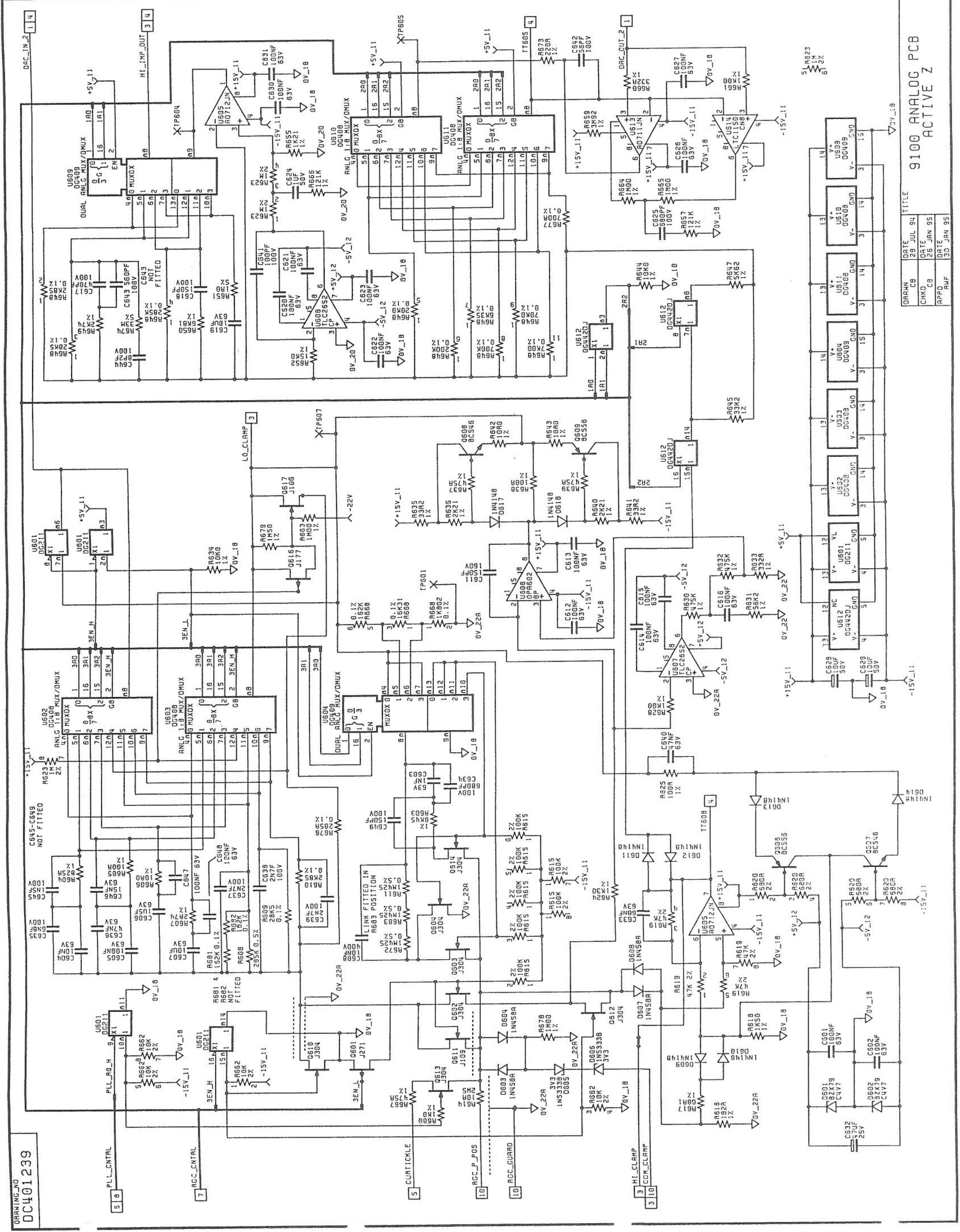




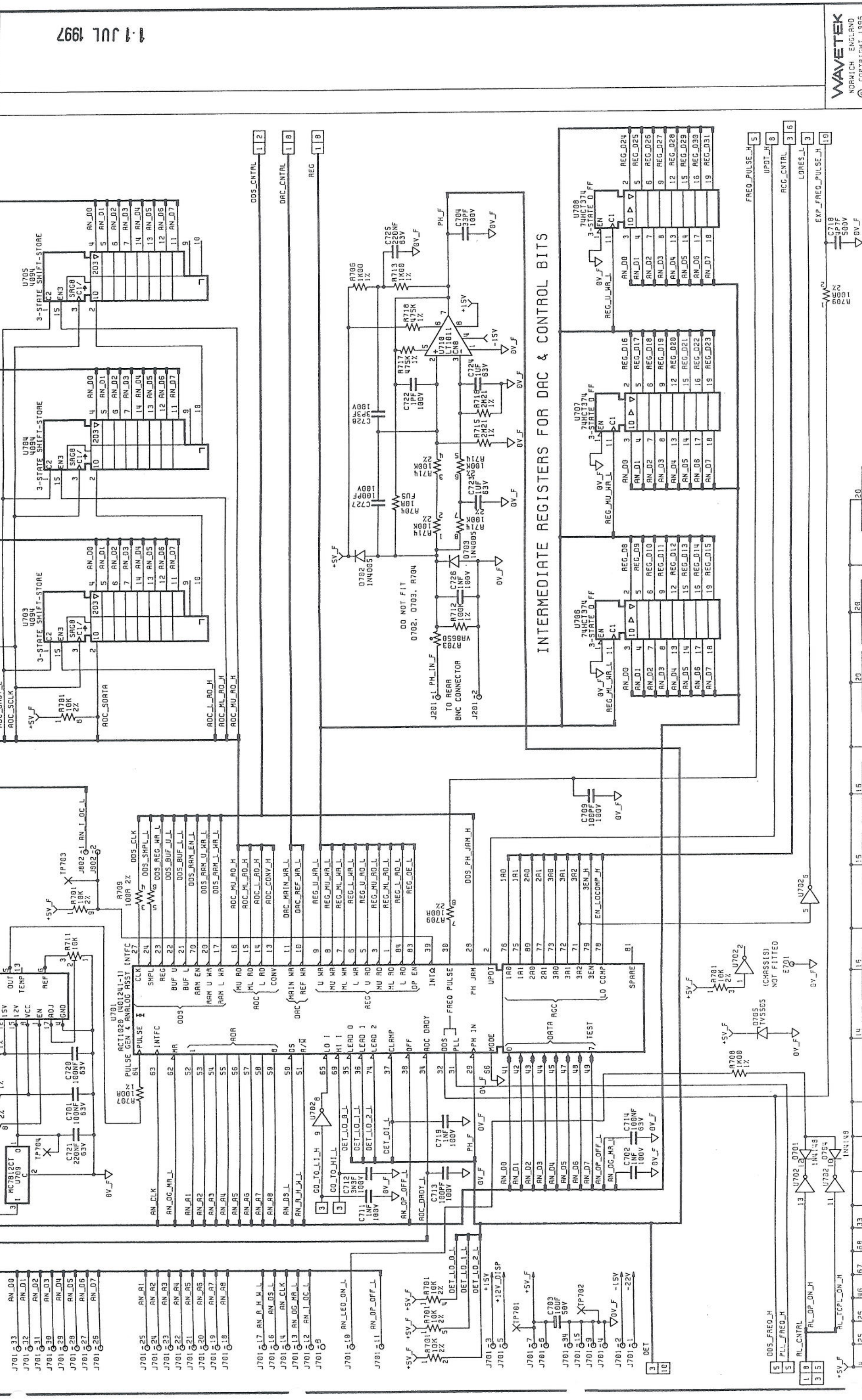










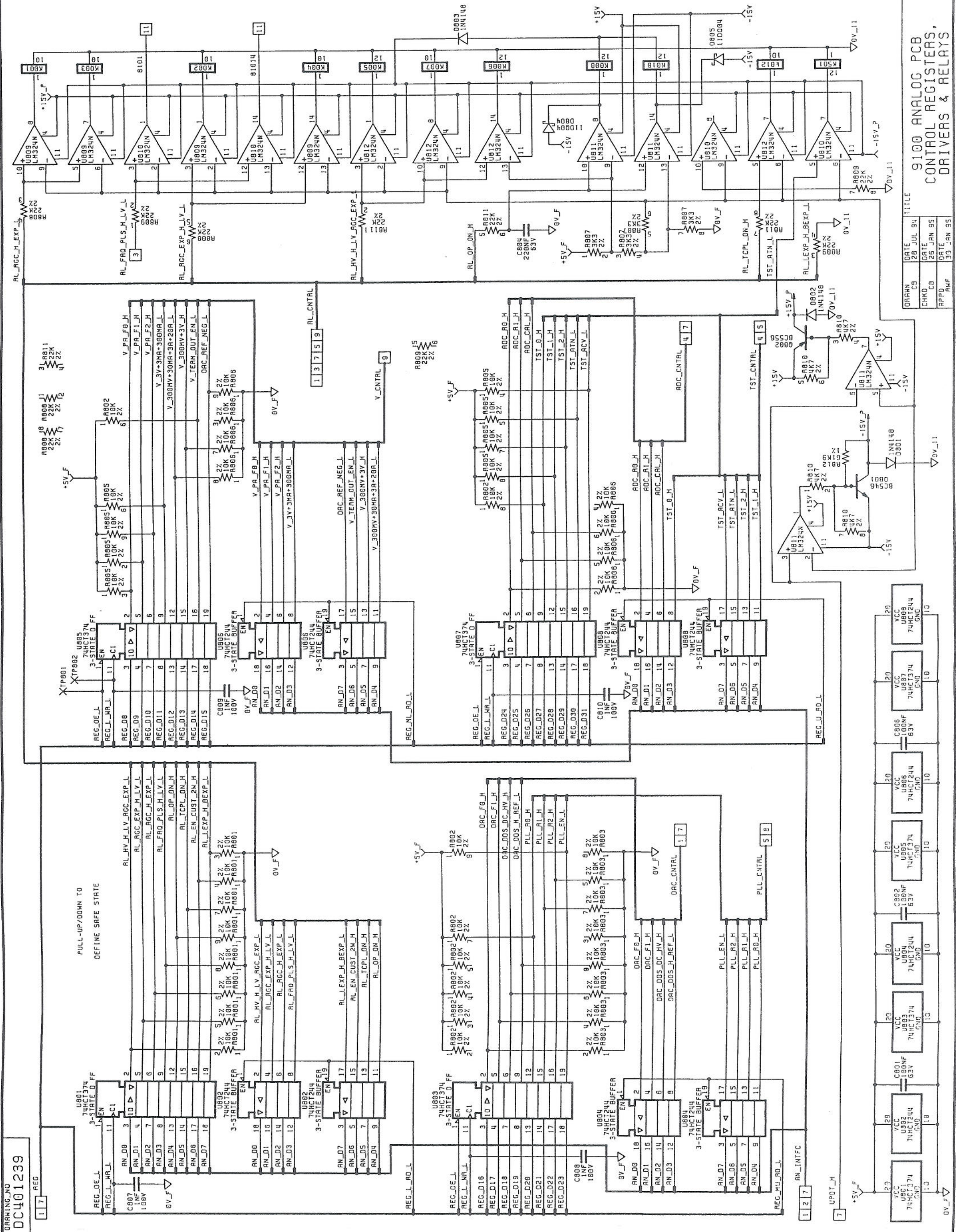




04 JUN 1997

9100 ANALOG PCB  
CONTROL REGISTERS,  
DRIVERS & RELAYS

ORAN	DATE	TITLE
CB	28 JUL 94	
CB	25 JAN 95	
APPD	30 JAN 95	



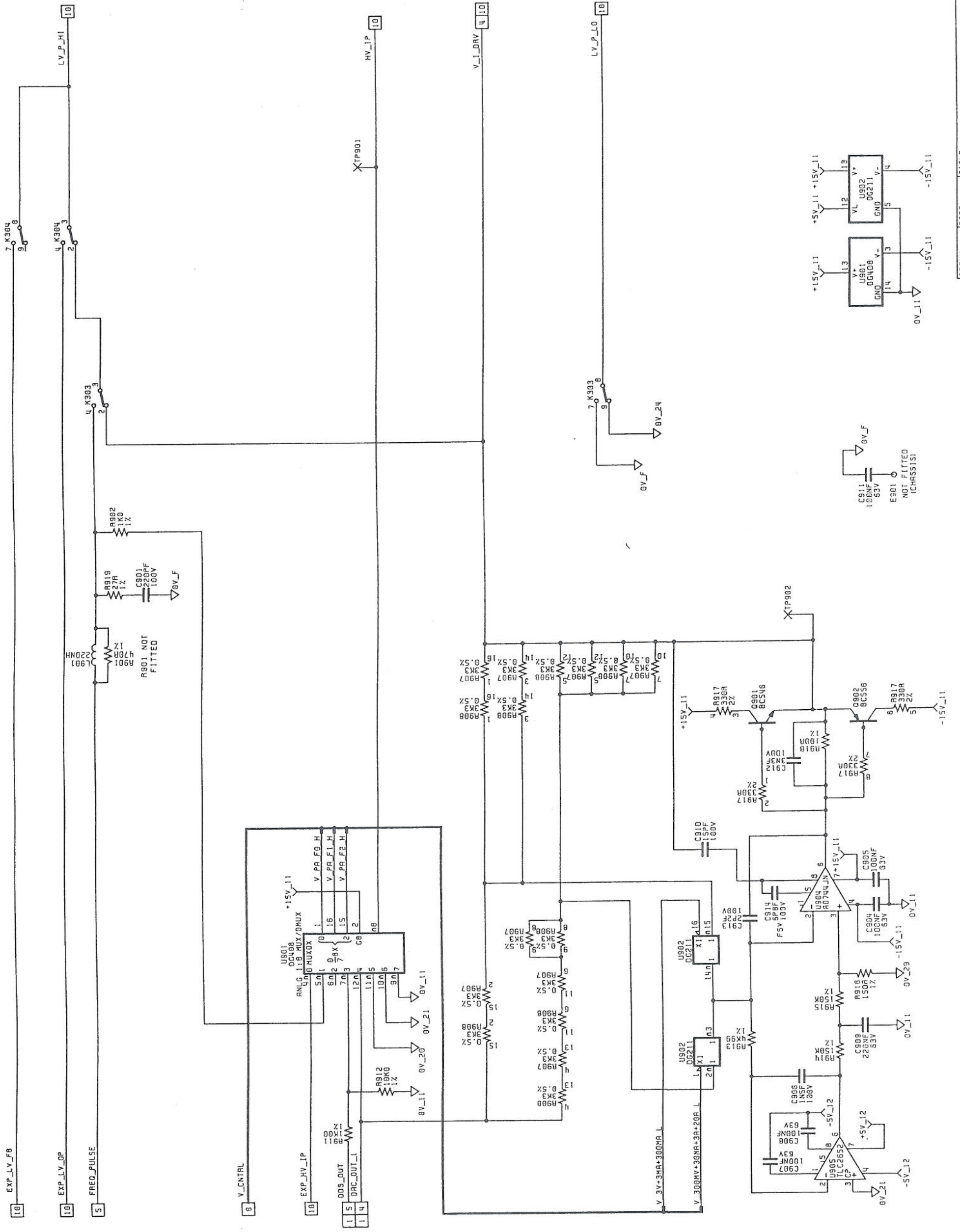


ISS CHANGES

2.0	ECO 5520 PCB MRS 110485-5 29 MAY 97
-----	---

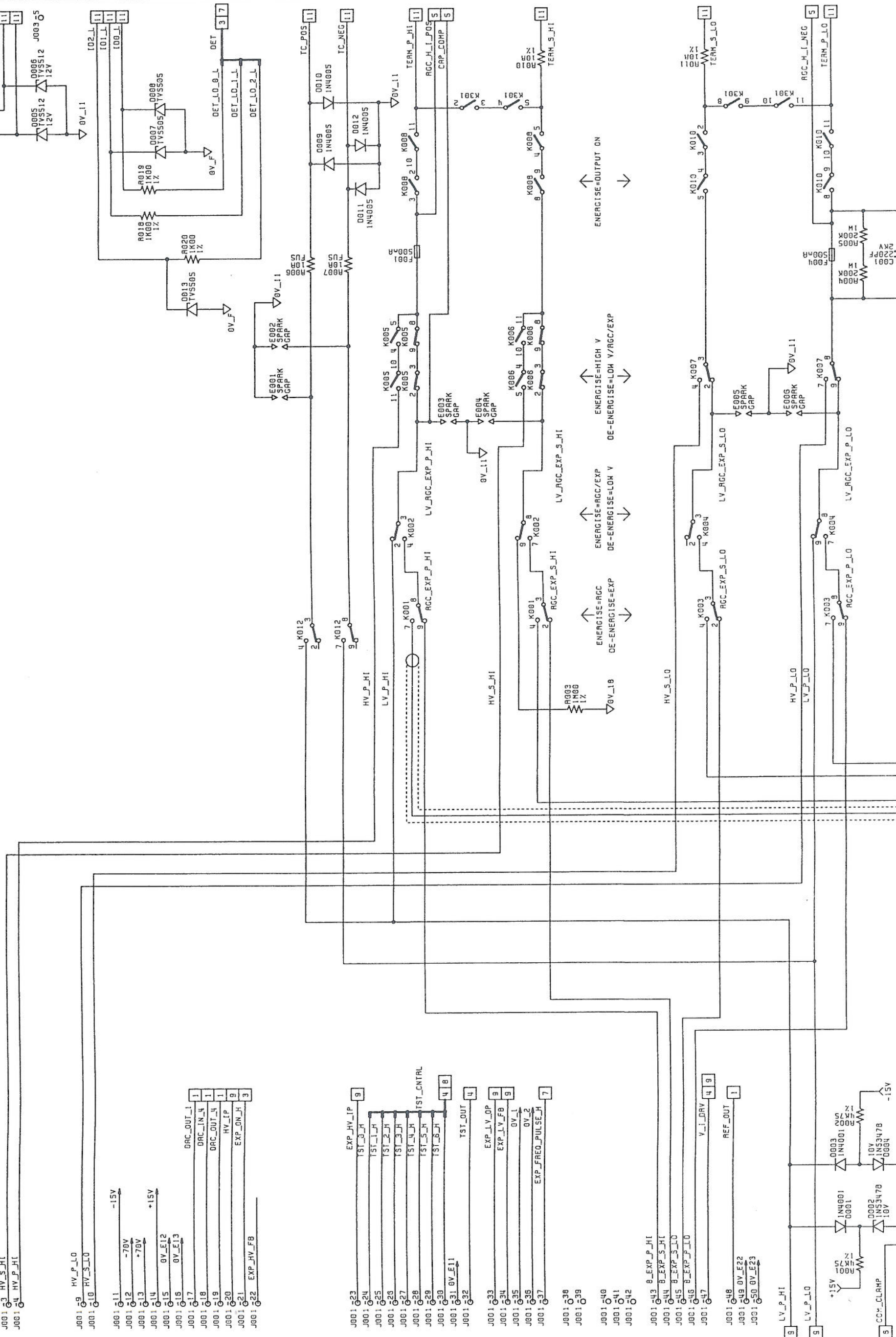
TITLE 9100 ANALOG PCB  
LOW VOLTAGE SOURCE  
CIRCUITRY

DRWNR	DATE	TITLE
CB	28 JUL 94	9100 ANALOG PCB
CHKD	DATE	LOW VOLTAGE SOURCE
CB	26 JAN 95	CIRCUITRY
APPR	DATE	
RMF	30 JAN 95	



NOT FITTED  
(C901)





ISS		CHANGES	
2.0	ECO 5520	PCB HAS 410485-5	
		29 MAY 97	

DATE	BY	DESCRIPTION
28 JUL 94	CB	DATE
29 JAN 95	CB	DATE
30 JAN 95	RF	DATE

DATE	BY	DESCRIPTION
28 JUL 94	CB	DATE
29 JAN 95	CB	DATE
30 JAN 95	RF	DATE

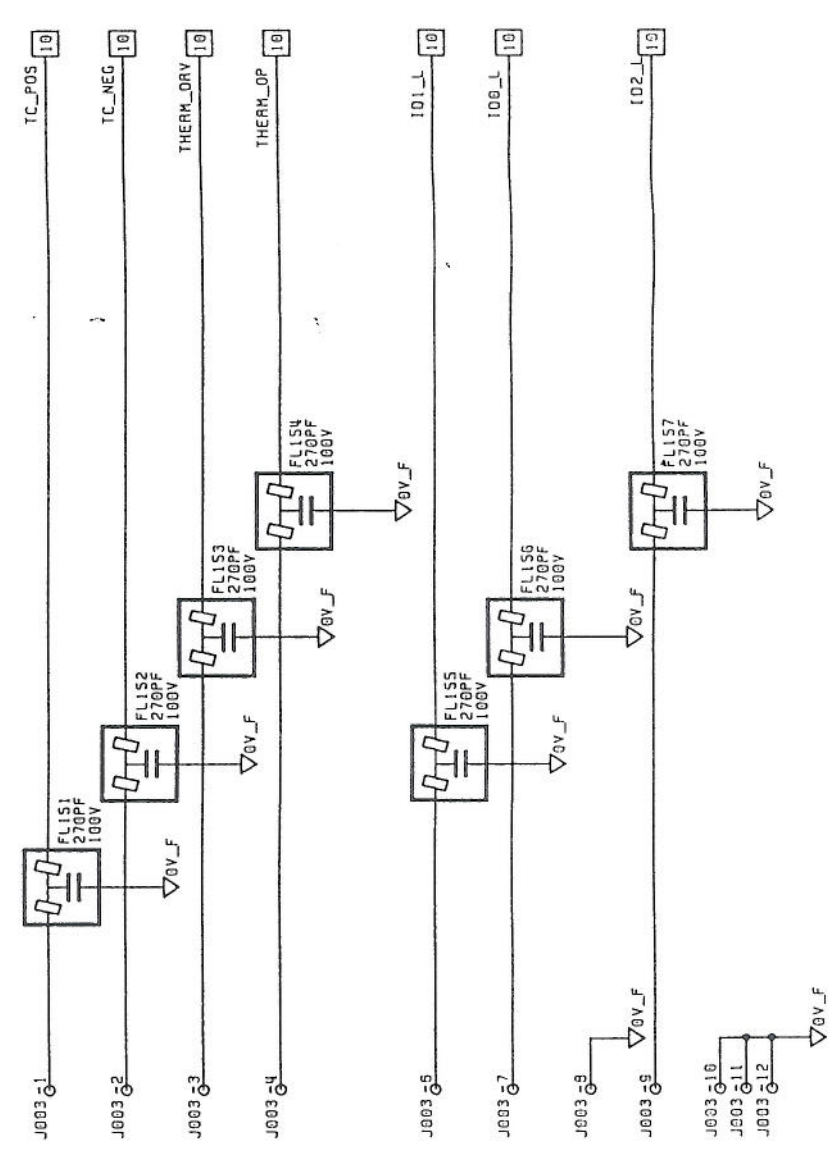
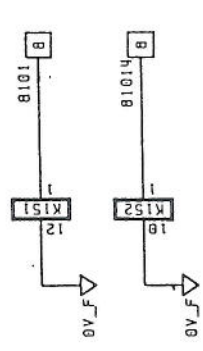
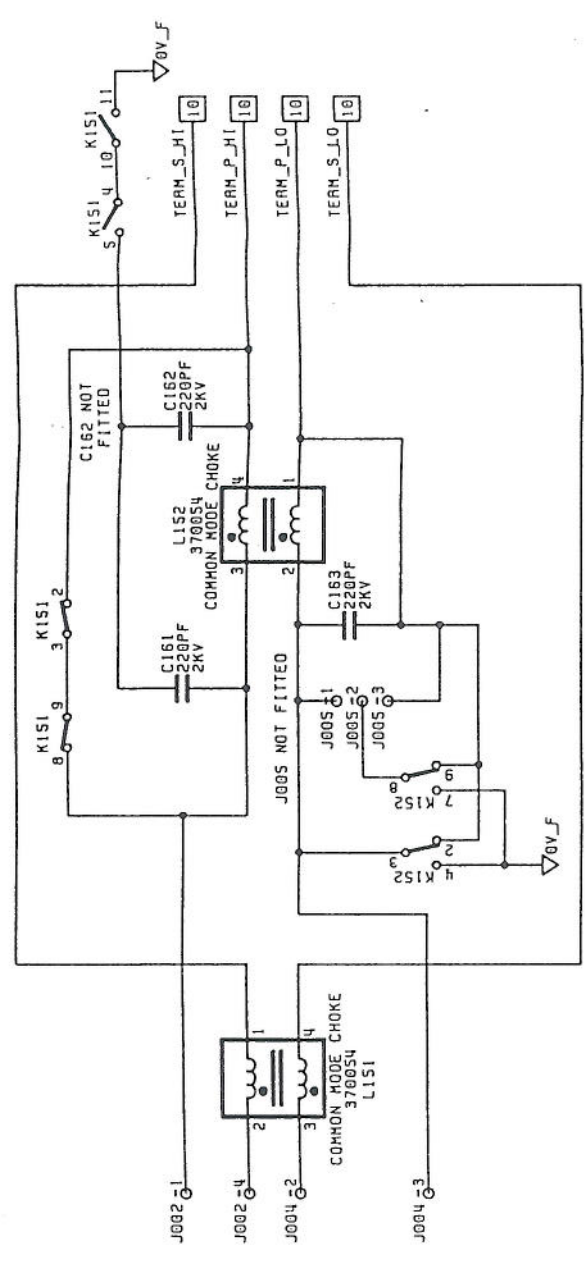
DATE	BY	DESCRIPTION
28 JUL 94	CB	DATE
29 JAN 95	CB	DATE
30 JAN 95	RF	DATE

DATE	BY	DESCRIPTION
28 JUL 94	CB	DATE
29 JAN 95	CB	DATE
30 JAN 95	RF	DATE



DRW	DATE	TITLE
JD	28 JUL 94	9100 ANALOG PCB OUTPUT FILTERS
CHKD	26 JAN 95	
APPD	30 JAN 95	









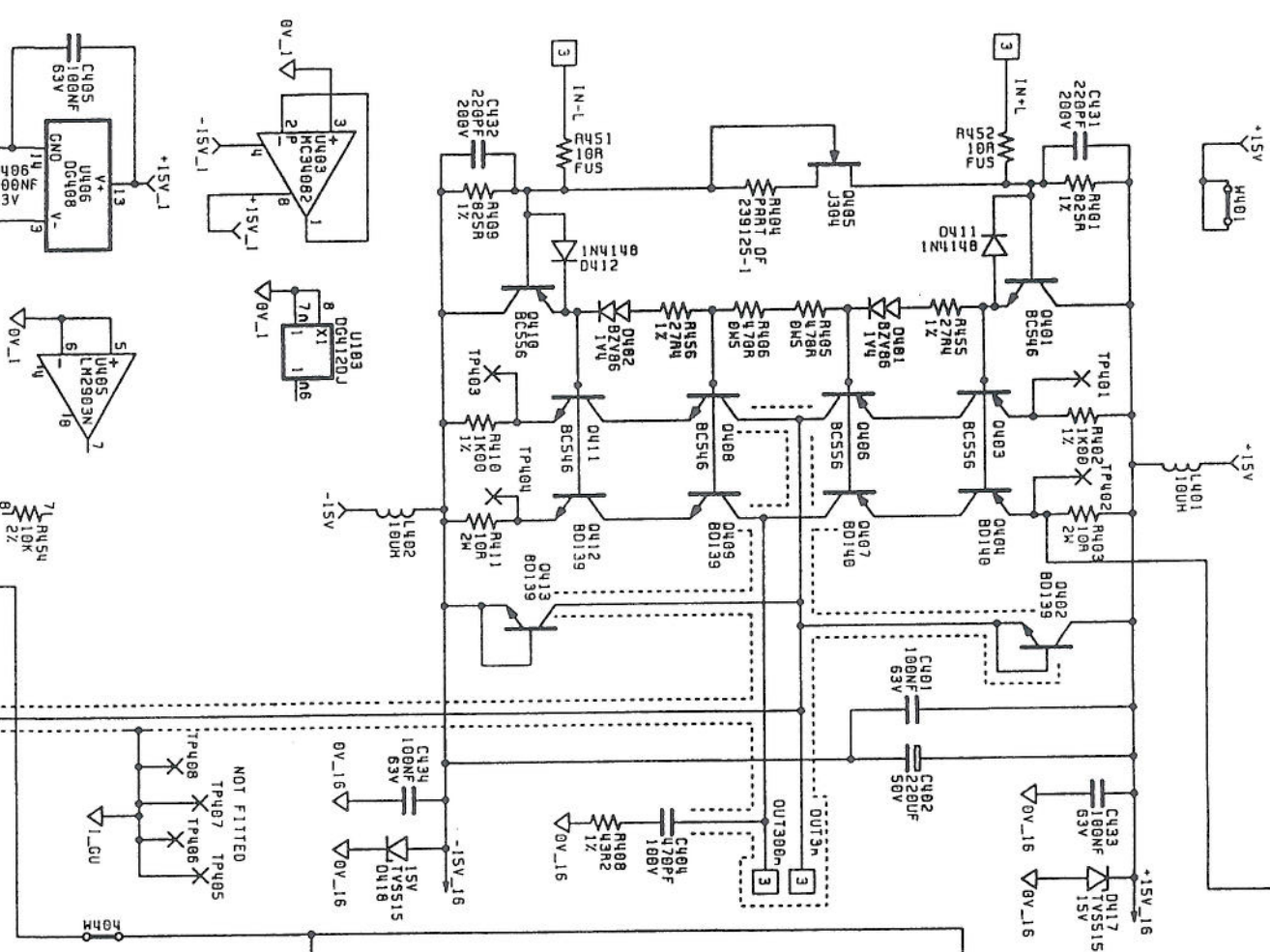




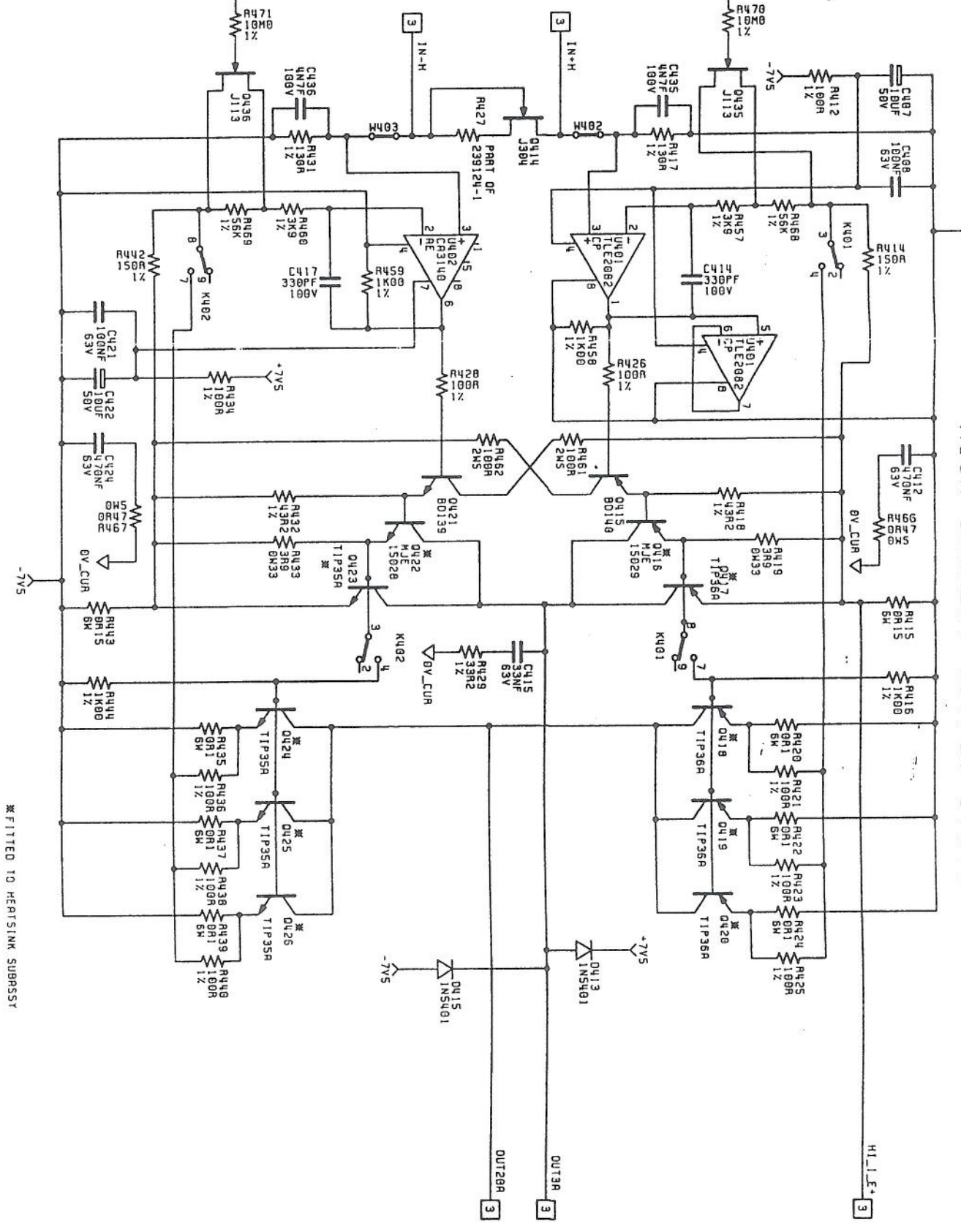




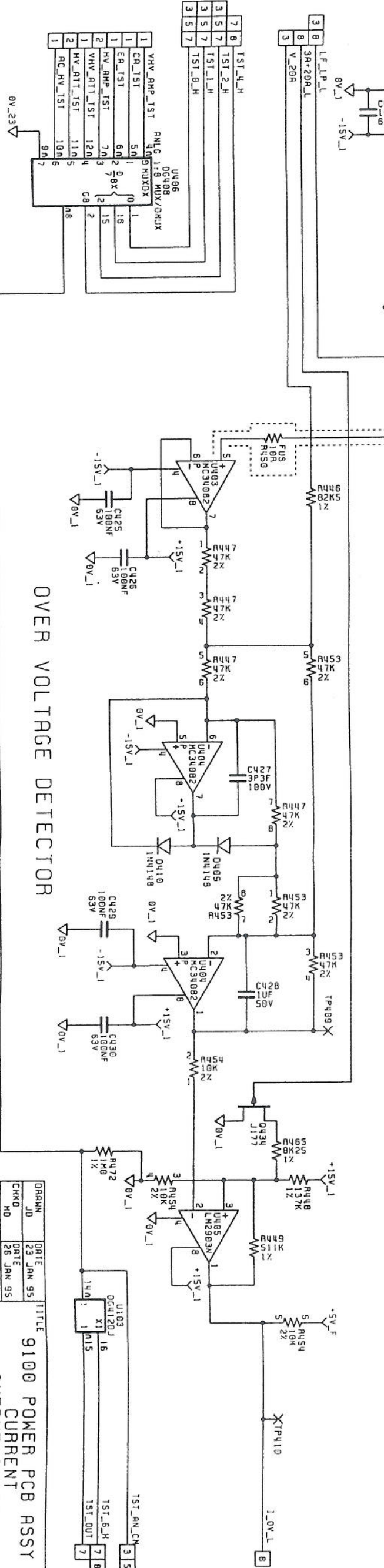
LOW CURRENT OUTPUT STAGE



HIGH CURRENT OUTPUT STAGE



OVER VOLTAGE DETECTOR



DRANK	DATE	TITLE
CHKD	DATE	9100 POWER PCB ASSY
APPD	DATE	CURRENT
	DATE	OUTPUT STAGES

19 APR 1995

ISS	CHANGES
1.0	ECO 4740 RELEASED 23 JAN 95
1.1	ECO 4742 PCB MRS 155 3 30 23 JAN 95
1.2	ECO 4828 R472 R0DED 1.1L 12 APR 95









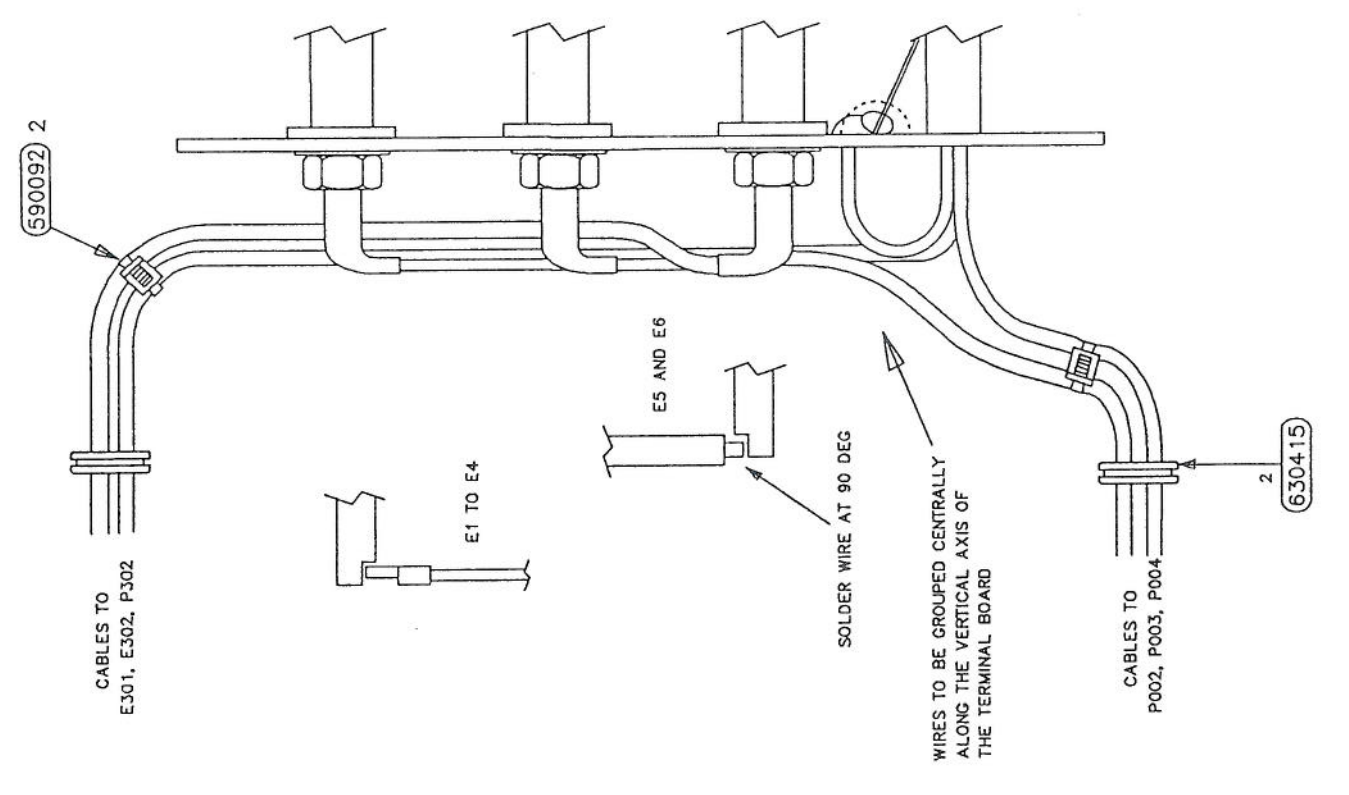






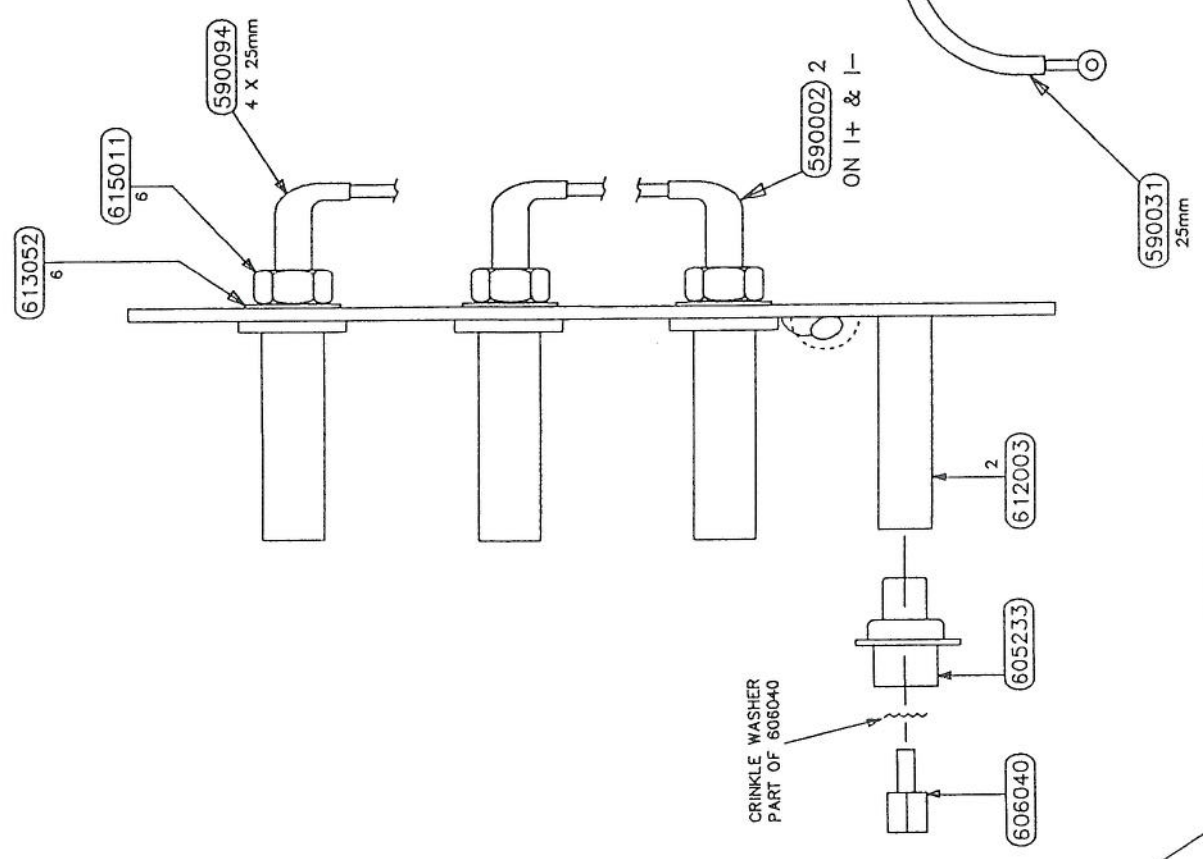
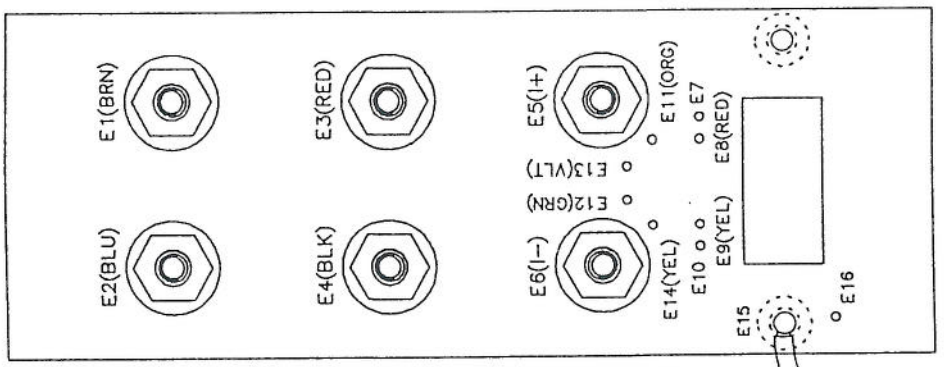
ISS	CHANGES
1.0	ECO 4340 RELEASED 07 OCT 93
1.1	ECO 4449 PCB WAS ISS. B 590092, 590002 ADDED. 590094 WAS 590032. NOTE RE WIRING METHOD ADDED. R1 MOUNTING VIEWS ADDED. JUL 15 APR 94

- 6 MAY 1994

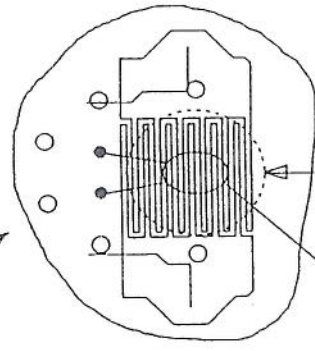


NOTE: GROMMETS TO BE FITTED ONTO CABLES BEFORE ASSY IS FITTED INTO CHASSIS  
CONNECTORS TO BE FITTED ONTO CABLES AFTER ASSY IS FITTED INTO CHASSIS

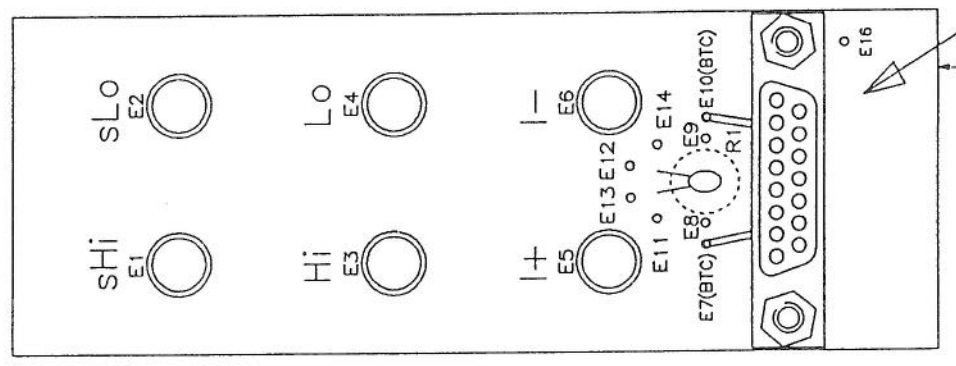
CUT END FROM CRIMP  
E1-E4, E11-E14  
E8, E9



MOUNT R1 WITH A LARGE GAP BETWEEN THE PCB AND ITS LEADS



R1 SECURE WITH LARGE BLOB OF 900012 TO COVER AREA SHOWN WITH R1 POSITIONED CENTRALLY AS SHOWN.



FOR CABLE TYPES, LENGTHS AND CONNECTIONS - SEE SHEET 2

TITLE  
9000 TERMINAL PCB ASSEMBLY

THIRD ANGLE PROJECTION	DATE	25 JUN 93	DIMENSIONS IN MILLIMETRES	DECIMAL TO 2 PLACES ± 0.1mm	MATERIAL
	DATE	21 OCT 93	SCALE	DECIMAL TO 1 PLACE ± 0.2mm	
ALL BURRS TO BE REMOVED	DRAWN	JD	SCALE	WHOLE DIMENSIONS ± 0.4mm	FINISH
	CHECKED	KB	N.T.S.	ANGULAR ± 0.5°	
	APPROVED	RWF	DATE	01 NOV 93	UNLESS OTHERWISE STATED

ISS	CHANGES
1.0	ECO 4340 RELEASED 07 OCT 93
1.1	ECO 4449 PCB WAS ISS. B 590092, 590002 ADDED. 590094 WAS 590032. NOTE RE WIRING METHOD ADDED. R1 MOUNTING VIEWS ADDED. JUL 15 APR 94







